

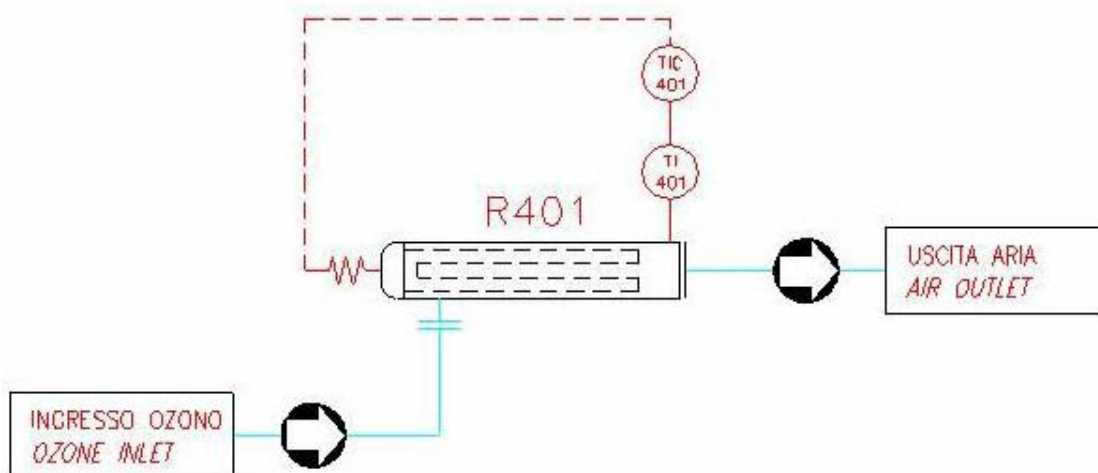


Ozone Vent Gas Destroyers/Decomposers

Spartan Environmental Technologies offers ozone vent gas decomposers from Ozono Elettronica Internazionale (OEI). OEI has been building ozone generators and associated equipment for over thirty years with hundreds of installations in place. They produce three types of decomposers: thermal, thermal/catalytic and thermal with heat recovery. The systems come in a variety of sizes to handle different gas flow rates.

Model DOT

The Model DOT uses thermal energy to decompose excess ozone in the vent gas. The flow chart illustrates the basic process.

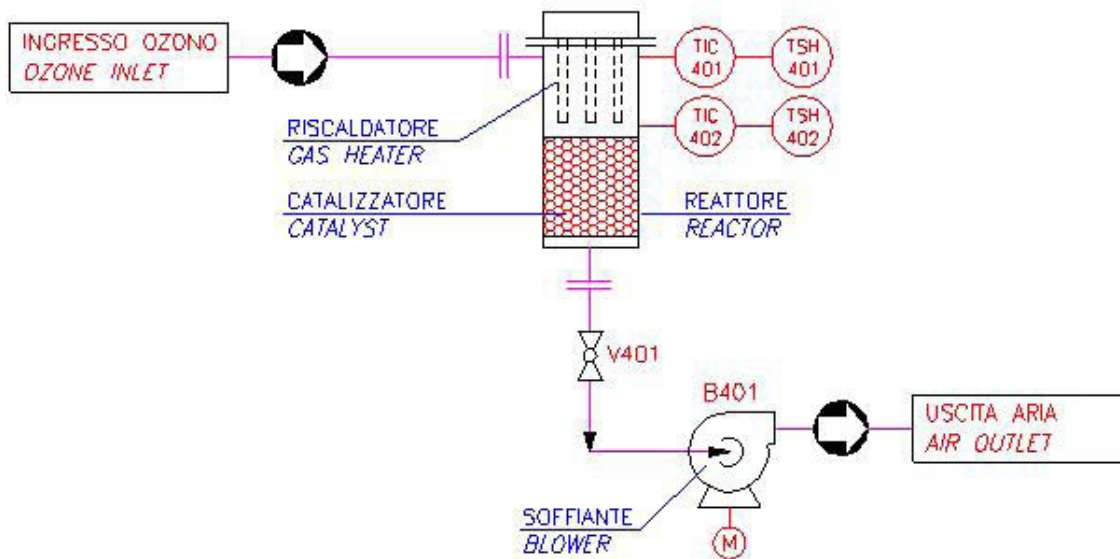


Model DOT Series of Ozone Vent Gas Decomposers
Technical Data

| Type | Flow (SCFM) | Installed Power (kW) | Absorbed Power (kW) | Dimensions (feet) |
|---------|-------------|----------------------|---------------------|-------------------|
| DOT 1 | 0.62 | 1.5 | 0.2 | 1.5 x 0.8 x 2.3 |
| DOT 5 | 3.12 | 1.5 | 0.5 | 1.5 x 0.8 x 2.3 |
| DOT 10 | 6.24 | 2.0 | 1.0 | 3.0 x 1.0 x 1.0 |
| DOT 20 | 12.48 | 3.0 | 2.0 | 3.0 x 1.0 x 1.0 |
| DOT 30 | 19.72 | 5.0 | 3.0 | 6.8 x 1.3 x 1.3 |
| DOT 50 | 31.20 | 7.5 | 5.0 | 7.2 x 2.3 x 2.3 |
| DOT 70 | 43.68 | 7.5 | 7.0 | 8.7 x 2.3 x 2.3 |
| DOT 110 | 68.64 | 13.0 | 11.0 | 10.3 x 2.3 x 2.3 |

Model DOCAT

The model DOCAT employs thermocatalytic decomposition of the ozone vent gas. The use of the catalyst reduces the temperature required for decomposition, lowering the energy requirement for the system. The flow chart below illustrates the process:

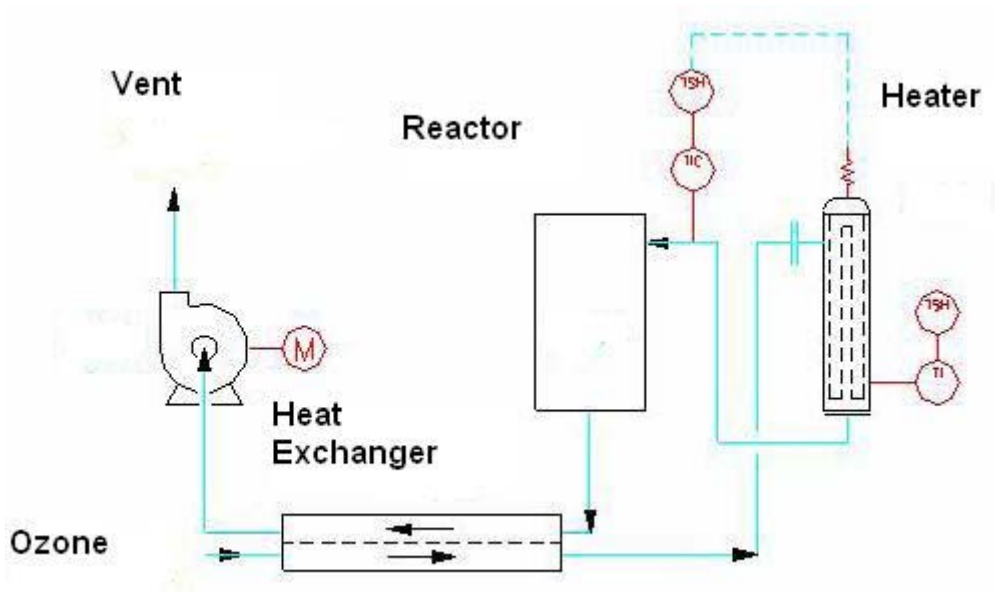


Model DOCAT Series of Ozone Vent Gas Decomposers
Technical Data

| Type | Flow (SCFM) | Installed Power (kW) | Absorbed Power (kW) | Blower Power (kW) | Dimensions (Feet) |
|-----------|-------------|----------------------|---------------------|-------------------|-------------------|
| DOCAT 50 | 31 | 1.7 | 1.0 | 0.4 | 3.2 x 1.6 x 5.7 |
| DOCAT 70 | 44 | 1.7 | 1.4 | 0.4 | 2.8 x 2.0 x 5.7 |
| DOCAT 110 | 69 | 2.4 | 2.2 | 0.8 | 3.3 x 2.1 x 6.1 |
| DOCAT 160 | 100 | 3.8 | 3.2 | 1.5 | 3.4 x 2.2 x 6.1 |
| DOCAT 240 | 150 | 5.6 | 4.8 | 2.2 | 4.0 x 2.5 x 6.4 |
| DOCAT 320 | 200 | 8.3 | 6.4 | 2.2 | 4.8 x 2.7 x 7.0 |
| DOCAT 400 | 250 | 10.4 | 8.0 | 2.2 | 4.6 x 2.9 x 7.0 |
| DOCAT 500 | 312 | 11.1 | 10 | 3.0 | 4.4 x 3.0 x 7.0 |

Model DTR

The model DTR is similar to the Model DOT except that a heat recovery system is included. This system is typically employed in larger applications.



**Model DTR Series of Ozone Vent Gas Decomposers
Technical Data**

| Type | Flow (SCFM) | Installed Power (kW) | Absorbed Power (kW) | Blower Power (kW) | Dimensions (Feet) |
|----------|-------------|----------------------|---------------------|-------------------|-------------------|
| DTR 110 | 69 | 4 | 2.5 | 0.8 | 10.6 x 5.1 x 7.8 |
| DTR 160 | 100 | 5 | 3.5 | 1.1 | 10.6 x 5.1 x 7.8 |
| DTR 240 | 150 | 8 | 5.5 | 1.6 | 10.7 x 5.1 x 7.8 |
| DTR 320 | 200 | 10 | 7.0 | 2.1 | 11.2 x 5.3 x 8.2 |
| DTR 500 | 312 | 15 | 11.0 | 3.2 | 12.9 x 6.7 x 8.7 |
| DTR 1000 | 624 | 30 | 22 | 6.4 | 15.2 x 8.0 x 8.7 |

**Additional Technical Data on the Model DOT, DTR and DOCAT
Ozone Destroyers**

Influent Gas Conditions

Pressure 0 psi
Temperature >68° F

Effluent Gas conditions

Temperature <176° F
Ozone concentration 0.1 ppm

Gas Heater

Type Electric
Design Pressure 14.5 psi
Design Temperature 716° F (140° F for the Model DOCAT)

Materials of Construction

Blower AISI 316
Reactor AISI 316
Resistance AISI 316
Skid AISI 316

Ozone Ambient Monitor

Range 0 -2 ppm

OEI Ozone Destroyers are available from Spartan Environmental Technologies, LLC
Phone : 800-492-1252, Fax : 440-368-3569, e-mail : info@SpartanWaterTreatment.com
Web : www.SpartanWaterTreatment.com